



# LAUDA

OVERALL BROCHURE  
CONSTANT TEMPERATURE  
EQUIPMENT  
2026/2027

°FAHRENHEIT. °CELSIUS. °LAUDA.

# LAUDA DEEP-FREEZERS



## Specific application examples

---

- Secure storage of organic substances, vaccines or reference strains of microorganisms
- Cold storage of enzymes and test kits in laboratories and hospitals
- Storage in pharmaceutical and chemical facilities
- Storage in pharmaceutical logistics centers
- Maintaining the cold chain in intralogistics, for factory transport and road logistics



# LAUDA Mobifreeze

The world's first mobile, battery-powered, ultra-low-temperature chest freezer: Four hours of battery life at  $-80^{\circ}\text{C}$

$-86^{\circ}\text{C}$    $-50^{\circ}\text{C}$

## Mobile, battery-powered and precisely temperature-controlled: LAUDA Mobifreeze

Welcome to the world of professional cooling. Ultra-freezers from LAUDA guarantee safe and reliable deep-freezing. The mobile ultra-low-temperature chest freezer with active temperature control ensures that the cold chain is reliably maintained in intralogistics and for inter-factory transport in road logistics, without the risks and costs associated with dry ice. Thanks to excellent insulating properties, the ultra-low-temperature chest freezer is the perfect solution for transporting delicate and temperature-sensitive materials. Many extremely sensitive samples not only have to be stored under validated conditions, but also have to be transported under identical conditions. Our ultra-deep-freeze chest freezer guarantees mobile, low-temperature transport.



Temperature-controlled transport: the mobile, ultra-low-temperature chest freezer simplifies the management of your cold chain



The control panel with a brilliant 4.3-inch touchscreen offers easy operation and optimal readability



Simple and secure transport for sensitive and valuable substances under validated transport conditions

### Important functions

- Hybrid use – mobile and stationary
- Intuitive operation: Touchscreen, password-protected user management
- Simple and secure maneuverability: Two swiveling heavy-duty casters, ergonomic handles and a dead man's brake, ram and impact protection
- Battery life of up to four hours, built-in data logger

### Standard equipment

4.3-inch touchscreen, battery with increased anti-flammability (lithium iron phosphate), fully stainless steel, rust-free interior, high-quality vacuum insulation (VIP)

### Further accessories

A000146 Factory certificate, A001383 External data logger, A000147 Calibration of external data logger, EZ 958 protective cover, RDP 033 anti-slip mat, A001762 transport box for bottles, racks for cryo boxes

All technical data and power supply variants can be found in the [Technical data](#) section.

More at [www.lauda.de/de/1810](http://www.lauda.de/de/1810)



### LAUDA Mobifreeze

The LAUDA Mobifreeze mobile ultra-low-temperature chest freezer is the logistics solution for the transport of temperature-sensitive samples – entirely without dry ice. The temperature is freely adjustable between  $-50$  and  $-86^{\circ}\text{C}$  under the validated storage conditions of identical temperature stability. Controlled transport conditions guarantee seamless integration of the cold chain.



# LAUDA Versafreeze

Freezing down to  $-86^{\circ}\text{C}$

with LAUDA freezer cabinets and chest freezers



## Tailor-made solutions for long-term and secure storage

Vaccines, organic substances and valuable samples that need to be stored at low temperatures are irreplaceable. Only the highest-quality deep-freezers guarantee long-term stability and availability in these challenging conditions. Based on decades of experience and technical development, LAUDA has optimized its Versafreeze deep-freezers for the extreme conditions of ultra deep-freeze storage and set new standards.



High-performance operating unit with password-protected user management



Storage system/plug-in units: flexible loading options for optimum utilization of the usable volume



Insulation (from right to left):  
Interior with stainless steel walls, tightly  
meshed evaporator, thermal film, vacuum  
panels, impermeable foam, appliance front

Powerful insulation technology with high-quality materials

## Important functions

- Intuitive operation via touch screen, integrated data logger, password-protected access rights
- The multi-layered high-performance vacuum insulation protects against loss of coldness and minimizes the energy consumption of continuous operation
- Options:  $\text{CO}_2$  or  $\text{LN}_2$  safety cooling system, water cooling, set of drawers for freezer cabinets, factory certificate

## Included accessories

Two feedthroughs  $\varnothing 13$  mm, for incorporating additional control or alarm sensors, Ethernet RJ45 connection

## Further accessories

Storage system/plug-in units, boxes, grid segmentations, external data logger,  $\text{CO}_2$  and  $\text{LN}_2$  safety cooling systems, water cooling

All technical data and power supply variants can be found in the [Technical data](#) section.

More at [www.lauda.de/de/1790](http://www.lauda.de/de/1790)



### LAUDA Versafreeze

LAUDA Versafreeze appliances offer the greatest possible security for your samples, even in a power cut, thanks to long defrosting times. The integrated accumulator is a standard feature and ensures that the display and alarm functions are maintained for a period of up to 35 hours.

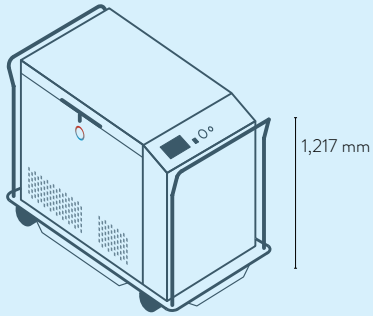


# LAUDA Deep-freezers

## Device type overview

LAUDA Mobifreeze / Page 114

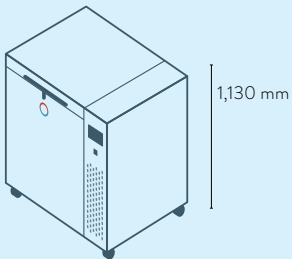
---



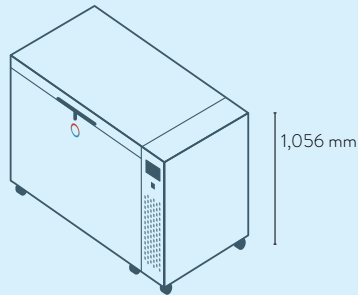
M 270

LAUDA Versafreeze Chest freezers / Page 116

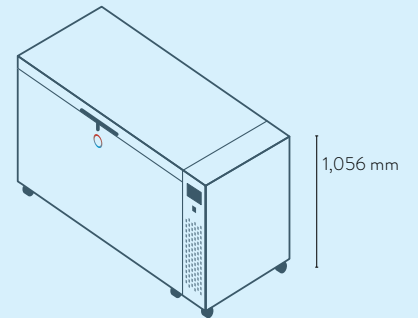
---



VF 20040  
VF 20085



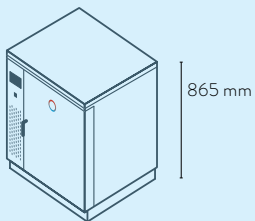
VF 55040  
VF 55085



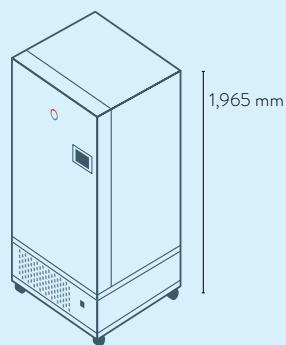
VF 75040  
VF 75085

LAUDA Versafreeze Upright freezers / Page 116

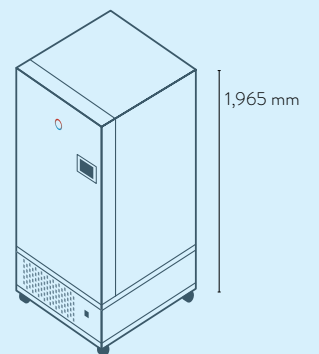
---



VF 15040  
VF 15085



VF 60040  
VF 60085



VF 70040  
VF 70085

# LAUDA Deep-freezers

## Technical data

Device type	Usable volume L	Temperature range	Cooling time to -80 °C / -40 °C h (without load)	Warm-up time -80 °C / -40 °C to 0 °C h (without load)	Interior dimensions (W x D x H) mm	External dimensions (W x D x H) mm	Net weight kg	Capacity 50 mm cryoboxes	Part number
<b>LAUDA Mobifreeze with natural refrigerant / Page 114</b>									
M 270	270	-86 ... -50 °C	3	10	900×600×500	1,471×933×1,217	325	-	L003678
<b>LAUDA Versafreeze Chest freezers with natural refrigerant / Page 116</b>									
VF 20040 C	205	-40 ... 0 °C	3	6	790×520×500	960×790×1,130	188	135	L003335
VF 55040 C	556	-40 ... 0 °C	4	10	1,180×620×760	1,671×910×1,056	260	416	L003336
VF 75040 C	754	-40 ... 0 °C	5	10	1,600×620×760	2,102×910×1,056	310	572	L003337
VF 20085 C	205	-86 ... -50 °C	3	11	790×520×500	960×790×1,130	210	135	L003338
VF 55085 C	556	-86 ... -50 °C	4	19	1,180×620×760	1,671×910×1,056	280	416	L003339
VF 75085 C	754	-86 ... -50 °C	5	19	1,600×620×760	2,102×910×1,056	332	572	L003340
<b>LAUDA Versafreeze Upright freezers with natural refrigerant / Page 116</b>									
VF 15040	129	-40 ... 0 °C	5	12	480×480×560	904×776×865/837*	128	81	L003341
VF 60040	583	-40 ... 0 °C	6	17	738×600×1,320	980×1,029×1,965	334	420	L003342
VF 70040	731	-40 ... 0 °C	7	13	738×750×1,320	980×1,179×1,965	345	525	L003343
VF 15085	129	-86 ... -50 °C	5	18	480×480×560	904×776×865/837*	162	81	L003344
VF 60085	583	-86 ... -50 °C	6	27	738×600×1,320	980×1,029×1,965	356	420	L003345
VF 70085	731	-86 ... -50 °C	7	25	738×750×1,320	980×1,179×1,965	370	525	L003346

Power supply: 230 V; 50 Hz; Electrical connection: CEE7/7 angled (EU, Schuko), Mobifreeze: CEE7/7 straight

Other plug variants available.

\* Height after removing the cover plate

The following brand names are registered trademarks  
of LAUDA DR. R. WOBSEER GMBH & CO. KG:  
LAUDA Microcool®, LAUDA Universa®, LAUDA Variopumpe®,  
Kryomat®, Kryopac®, Mobifreeze®, Ultratemp®, Variocool®

LAUDA DR. R. WOBSEER GMBH & CO. KG  
Laudaplatz 1 • 97922 Lauda-Königshofen • Germany  
[www.lauda.de](http://www.lauda.de)

